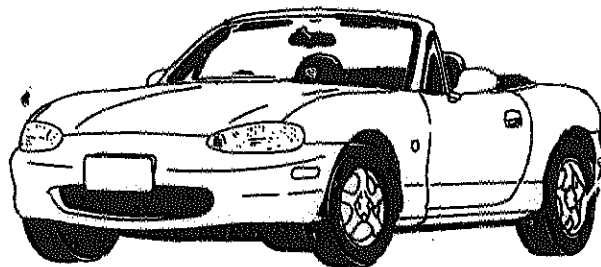


Parts Catalog

Mazda MX-5 MIATA
U.S.A.
('99 ▶)



NBS53*-100001-

Jan. '00 (REVISED)

Catalog No. AU-NA07-05

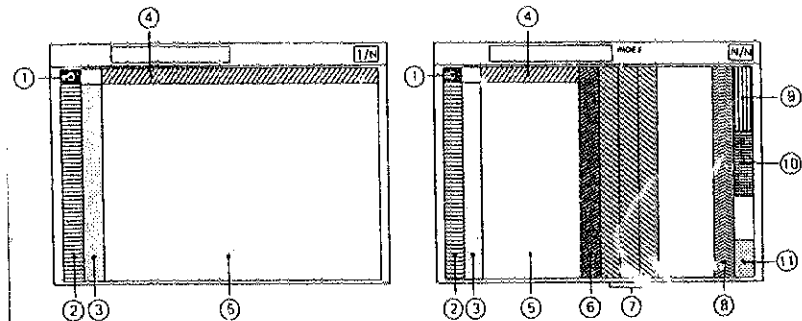


MAZDA

©2000 Mazda Motor Corporation

LAYOUT OF CONTENTS / DISPOSITION TYPOGRAPHIQUE DE CONTENU / DISPOSICION DEL CONTENIDO / ANORDNUNG DES INHALTS

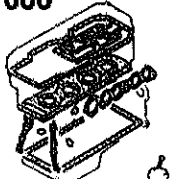
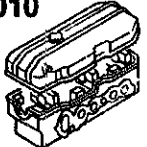
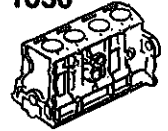
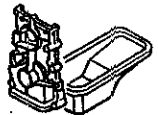
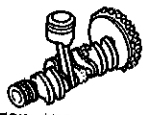
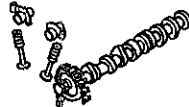

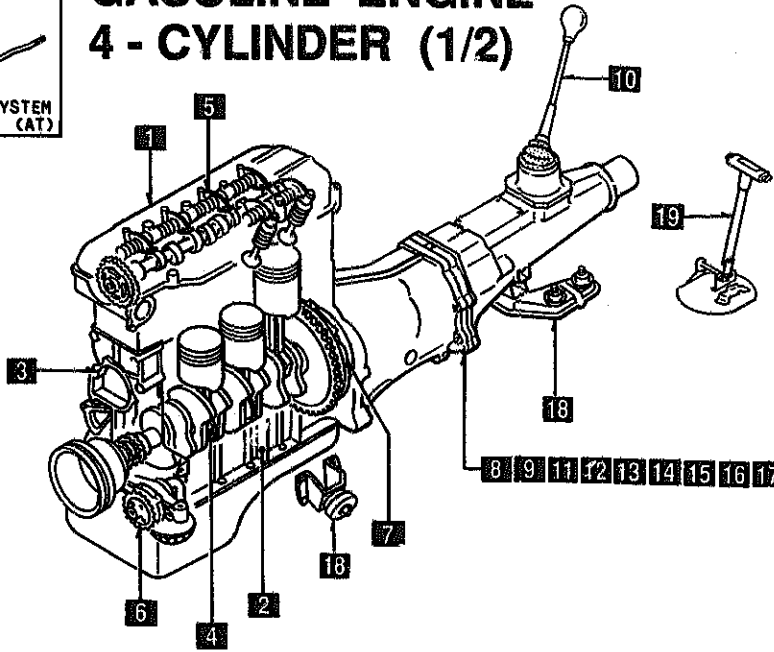
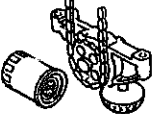
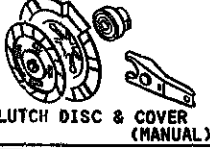

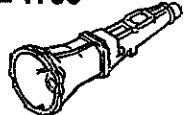
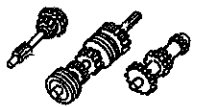

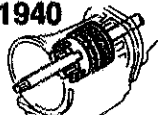


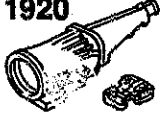

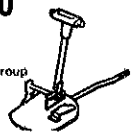
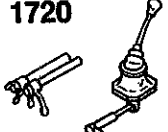
- The following is a typical example of the layout of contents on Mazda microfiche parts catalog.
- Voici un exemple typique de la disposition typographique de contenu dans les microfiches de catalogue des pièces de Mazda.
- El siguiente es un ejemplo típico de la disposición del contenido en una microficha del catálogo de repuestos de Mazda.
- Folgendes ist ein typisches Beispiel der Inhaltsanordnung des Mazda-Mikrofiche-Teilekatalogs.



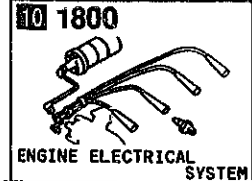
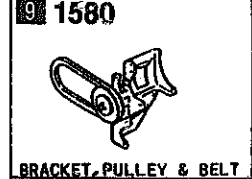
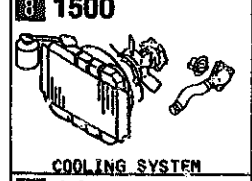
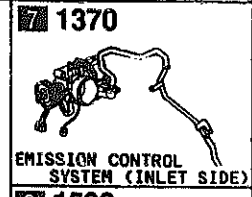
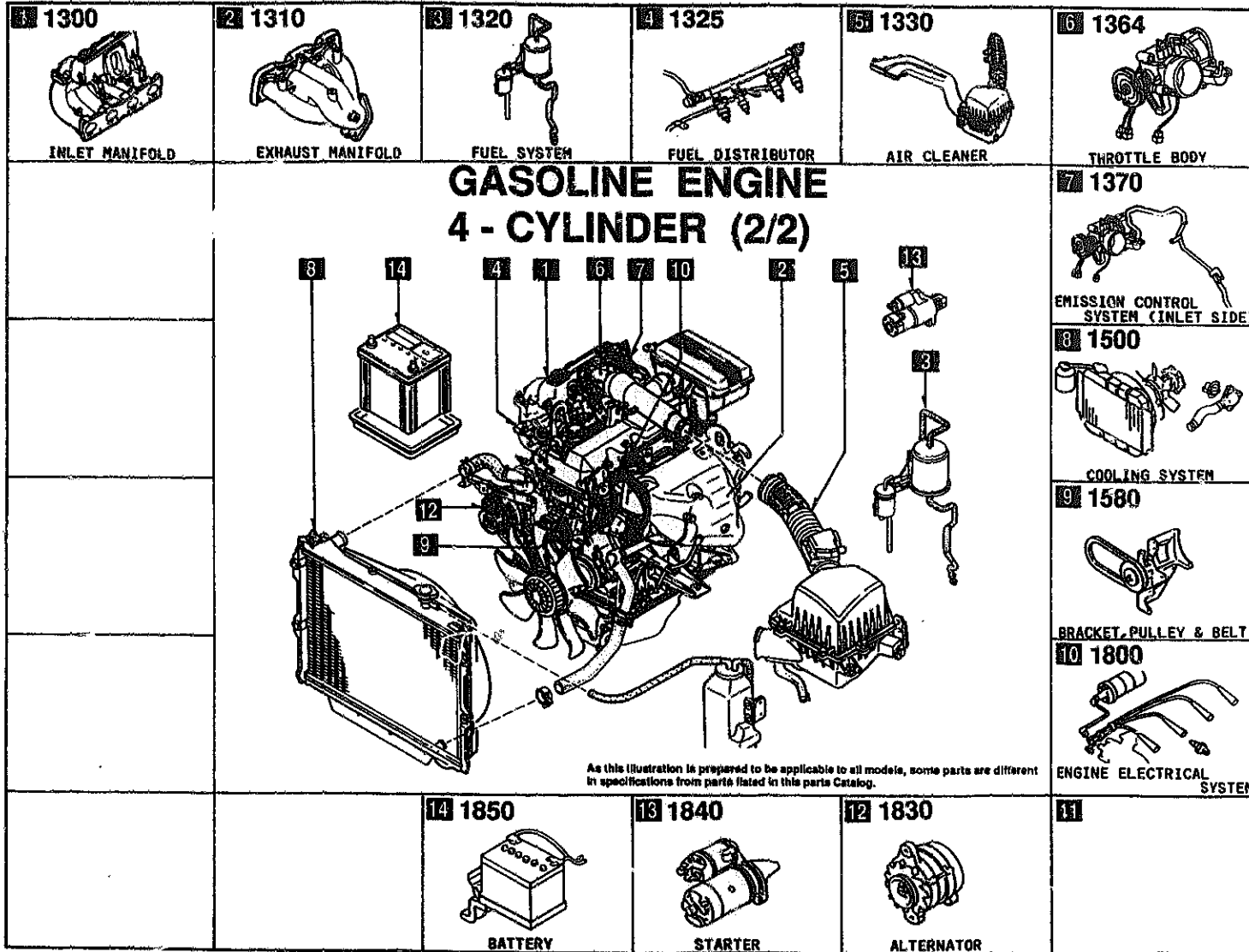
Remark : The items listed under ④ have been deleted from each fiche since Dec. '93

- | | | |
|---|---|---|
| ① • Layout of contents
• Disposition Typographique de Contenu
• Disposición del contenido
• Anordnung des Inhalts | ② • Pictorial Index
• Index par Schémas
• Índice Gráfico
• Illustrierter Index | ③ • Master Section No. Index
• Index des Numéros des Sections Totale
• Índice del Número de la Sección Maestra
• Hauptabschnittsnummer-Index |
| ④ • Section No. Index for the Column
• Index des Numéros des Sections pour les Colonnes
• N° de la Sección para el Índice
• Abschnittsnummer-Index für die Spalten | ⑤ • Illustration & Text
• Illustrations et Textes
• Ilustración y Texto
• Abbildung und Text | ⑥ • Part No. Index
• Index des Numéros des Pièces
• Índice del N° de Pieza
• Teile-Nr.-Index |
| ⑦ • Alphabetical Index
• Index Alphabétique
• Índice Alfabético
• Alphabetischer Index | ⑧ • Model Identification
• Identification des Modèles
• Identificación del Modelo
• Modell-Kennzeichnung | ⑨ • Vehicle Identification System
• Système d'Identification de Véhicule
• Sistema de Identificación de Vehículo
• Fahrzeug-Identifikations-system |

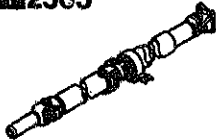







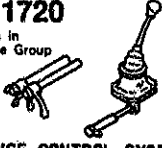
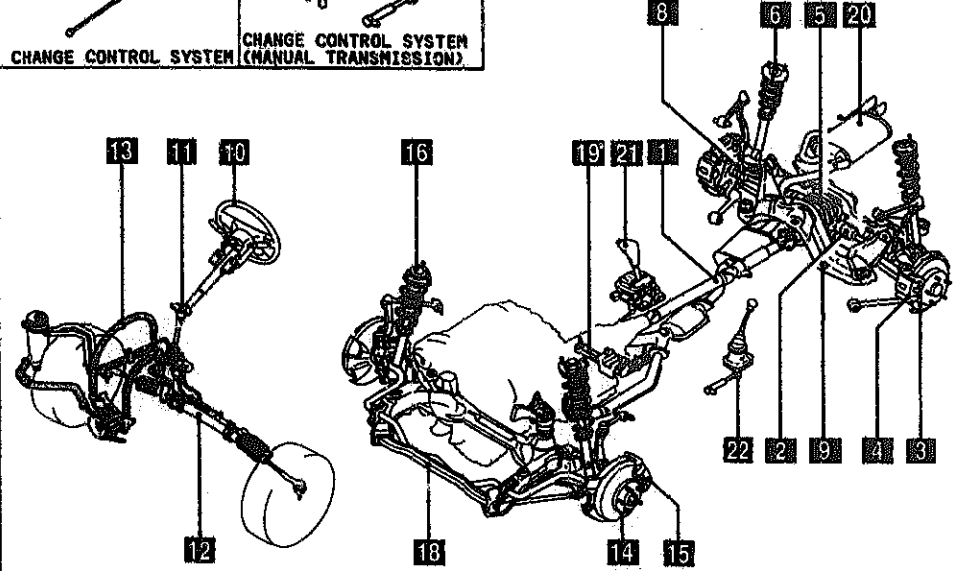



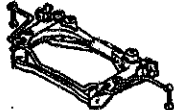









PICTORIAL INDEX

<p>1000</p>  <p>ENGINE & GASKET SETS</p>	<p>1 1010</p>  <p>CYLINDER HEAD & COVER</p>	<p>2 1030</p>  <p>CYLINDER BLOCK</p>	<p>3 1040</p>  <p>OIL PAN & TIMING COVER</p>	<p>4 1100</p>  <p>PISTON, CRANKSHAFT & FLYWHEEL</p>	<p>5 1200</p>  <p>VALVE SYSTEM</p>
<p>18 3900</p>  <p>ENGINE & T/MISSION MOUNTINGS</p>	<p>GASOLINE ENGINE 4 - CYLINDER (1/2)</p> 			<p>6 1400</p>  <p>OIL PUMP & FILTER</p>	<p>7 1600</p>  <p>CLUTCH DISC & COVER (MANUAL)</p>
<p>17 1960</p>  <p>GASKET & SEAL KIT (AUTOMATIC)</p>	<p><small>As this illustration is prepared to be applicable to all models, some parts are different in specifications from parts listed in this parts Catalog.</small></p>			<p>8 1700</p>  <p>TRANSMISSION CASE (MANUAL)</p>	<p>9 1710</p>  <p>TRANSMISSION GEARS (MANUAL)</p>
<p>16 1950</p>  <p>MANUAL LINKAGE SYSTEM (AUTOMATIC)</p>	<p>15 1940</p>  <p>GOVERNOR, LOW & REVERSE PISTON (AUTOMATIC)</p>	<p>14 1930</p>  <p>CLUTCHES & PLANETARY GEARS (AUTOMATIC)</p>	<p>13 1925</p>  <p>CONTROL VALVE (AUTOMATIC)</p>	<p>12 1920</p>  <p>TRANSMISSION CASE & MAIN CONTROL SYSTEM (AUTOMATIC)</p>	<p>11 1910</p>  <p>TORQUE CONVERTER, OIL PUMP & PIPINGS (AUTOMATIC)</p>
<p>19 4600</p>  <p>CHANGE CONTROL SYSTEM (AT)</p>				<p>10 1720</p>  <p>CHANGE CONTROL SYSTEM (MANUAL)</p>	

PICTORIAL INDEX






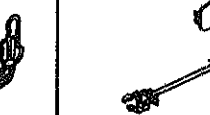
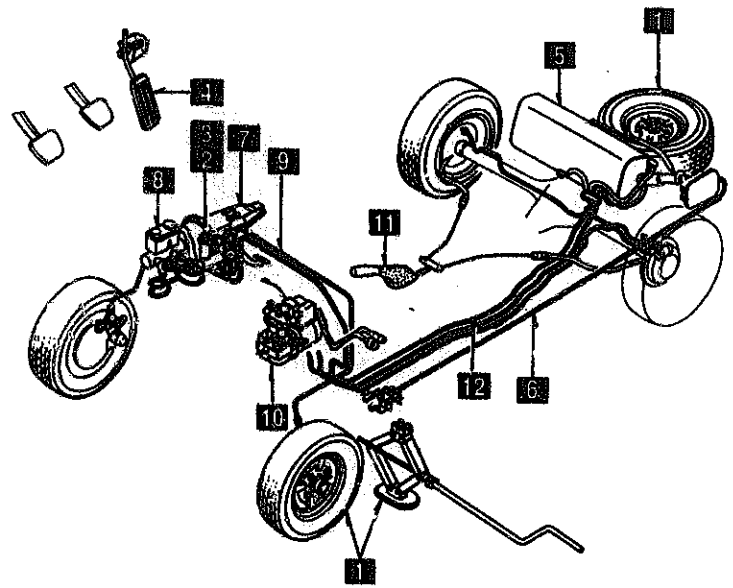
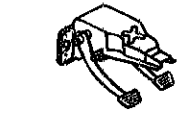


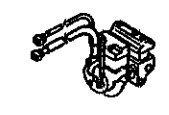




PICTORIAL INDEX

1 2505  REAR PROPELLER SHAFT	2 2550  REAR DRIVE SHAFT	3 2600  REAR AXLE	4 2610  REAR BRAKE MECHANISMS	5 2710  REAR DIFFERENTIALS	6 2800  REAR SUSPENSION MECHANISMS	
20 4000  EXHAUST SYSTEM	21 4600  CHANGE CONTROL SYSTEM	22 1720 Given in Engine Group  CHANGE CONTROL SYSTEM (MANUAL TRANSMISSION)	<h2 style="margin: 0;">CHASSIS (1/2)</h2> 			7 
19 3900  ENGINE & T/MISSION MOUNTINGS	(Main chassis diagram continues)			8 2810  REAR STABILIZER		
18 3410  CROSSMEMBER & STABILIZER				9 2830  REAR LOWER ARMS & SUB FRAME		
17 	(Main chassis diagram continues)			10 3200  STEERING WHEEL		
16 3400  FRONT SUSPENSION MECHANISMS	15 3310  FRONT BRAKE MECHANISMS	14 3300  FRONT AXLE	13 3240  POWER STEERING SYSTEM (FRONT)	12 3220  STEERING GEAR	11 3210  STEERING COLUMN & SHAFTS	







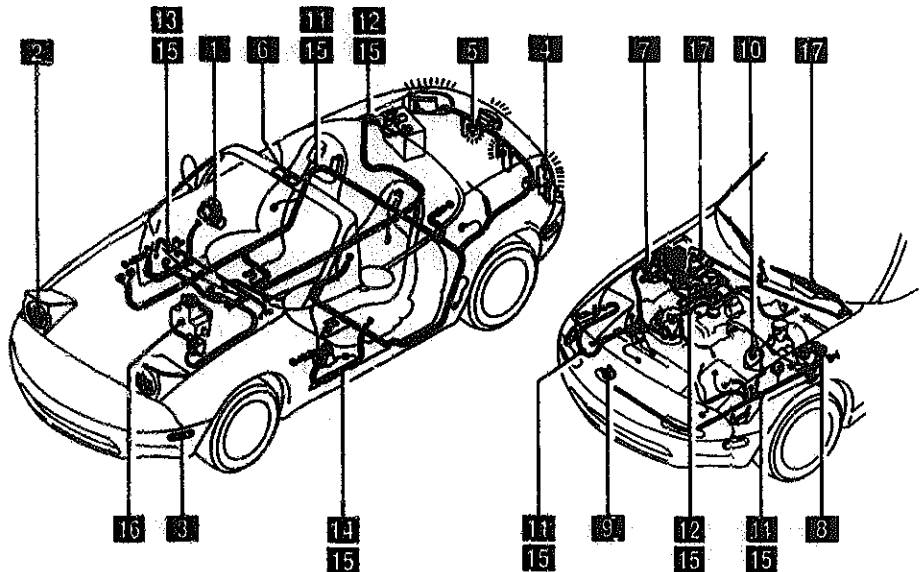





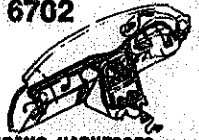





As this illustration is prepared to be applicable to all models, some parts are different in specifications from parts listed in this parts Catalog.

PICTORIAL INDEX



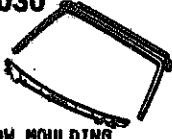

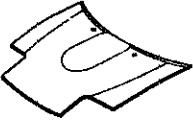

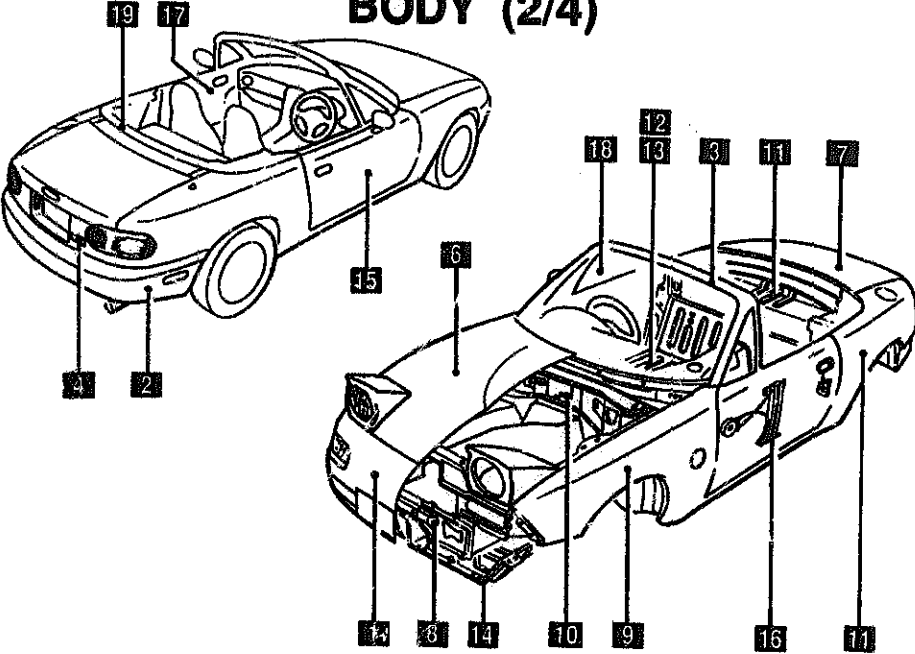












1 3700  TIRES & JACK	2 4140  CLUTCH RELEASE & MASTER CYLINDERS	3 4145  CLUTCH PIPINGS	4 4160  ACCELERATOR CONTROL SYSTEM	5 4200  FUEL TANK	6 4210  FUEL LID OPENER
<h3 style="margin: 0;">CHASSIS (2/2)</h3> 					
					7 4300  CLUTCH & BRAKE PEDALS
					8 4340  BRAKE MASTER CYLINDER & POWER BRAKE
					9 4360  BRAKE PIPINGS
					10 4370  ANTILOCK BRAKE SYSTEM
				12 4500  FUEL PIPINGS	11 4400  PARKING BRAKE SYSTEM

As this illustration is prepared to be applicable to all models, some parts are different in specifications from parts listed in this parts Catalog.

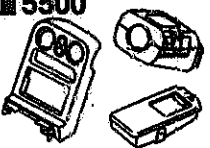

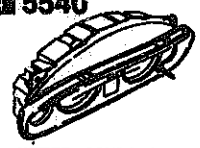
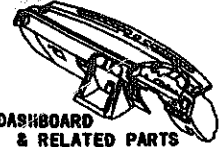
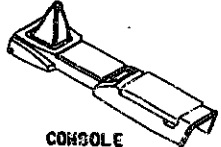
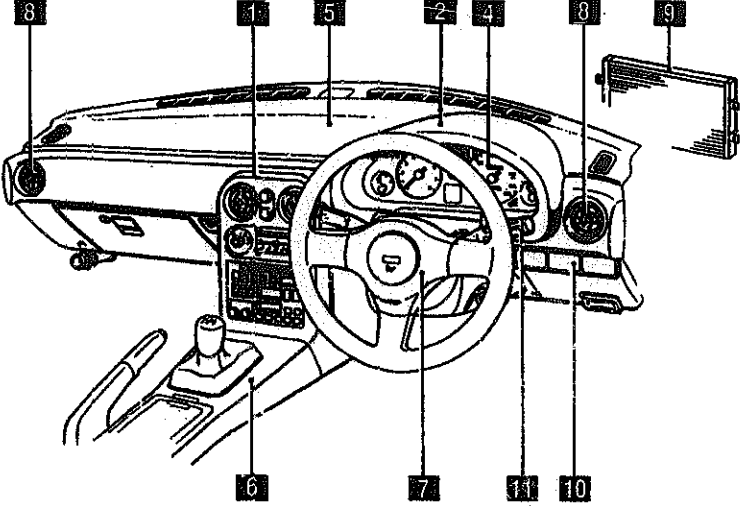


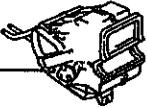


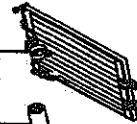



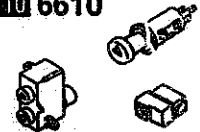
PICTORIAL INDEX

<p>0900</p>  <p>KEY SETS</p>	<p>5100</p>  <p>HEAD LAMPS</p>	<p>5105</p>  <p>FRONT COMBINATION LAMPS</p>	<p>5110</p>  <p>REAR COMBINATION LAMPS</p>	<p>5120</p>  <p>LICENSE LAMPS</p>	<p>5125</p>  <p>INTERIOR LAMPS</p>
<p>BODY (1/4)</p> 					
<p>6730</p>  <p>WINDSHIELD WIPERS</p>	<p><small>As this illustration is prepared to be applicable to all models, some parts are different in specifications from parts listed in this parts Catalog.</small></p>				<p>6600</p>  <p>SWITCHES & RELAYS (ENGINE)</p>
<p>6720</p>  <p>WINDSHIELD WASHER</p>	<p>6704</p>  <p>WIRING HARNESS CLAMPS</p>	<p>6703</p>  <p>WIRING HARNESSSES (DOOR, FLOOR/CEILING)</p>	<p>6702</p>  <p>WIRING HARNESSSES (DASHBOARD)</p>	<p>6701</p>  <p>WIRING HARNESSSES (ENGINE & T/MISSION)</p>	<p>6630</p>  <p>RELAYS & UNIT (BODY)</p>
					<p>6635</p>  <p>DOOR SWITCH & HORNS</p>
					<p>6640</p>  <p>AUTO CRUISE CONTROL SYSTEM</p>
					<p>6700</p>  <p>WIRING HARNESSSES (FRONT & REAR)</p>




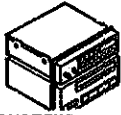
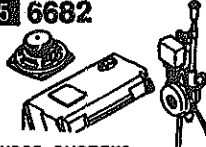
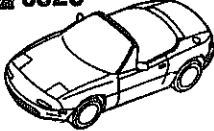
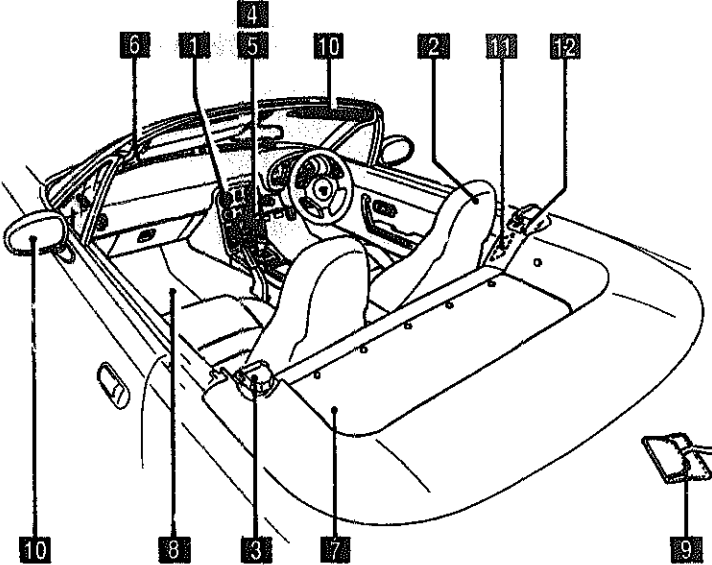

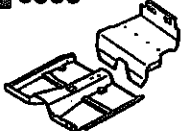




PICTORIAL INDEX

1 5000  FRONT BUMPER	2 5010  REAR BUMPER	3 5030  WINDOW MOULDING & COWL GRILLES	4 5170  Mazda ORNAMENTS		5 5230  BONNET
13 6330  SUNROOF	<h3 style="margin: 0;">BODY (2/4)</h3> 				6 5260  TRUNK LID
14 6300  WINDOW GLASSES	15 5840  FRONT DOOR TRIMS & RELATED PARTS	16 5310  FRONT PANELS	17 5320  FENDER & WHEEL APRON PANELS	18 5330  DASH & COWL PANELS	
19 5830  FRONT DOOR MECHANISMS	20 5800  FRONT DOORS	21 5390  FLOOR ATTACHMENTS	22 5380  FLOOR ATTACHMENTS (HOLE COVERS)	23 5370  FLOOR PANELS	24 5340  SIDE PANELS

PICTORIAL INDEX

<p>1 5500</p>  <p>DASHBOARD EQUIPMENTS</p>	<p>2 5520</p>  <p>METER HOOD</p>	<p>3</p>	<p>4 5540</p>  <p>METER COMPONENTS</p>	<p>5 5560</p>  <p>DASHBOARD & RELATED PARTS</p>	<p>6 5570</p>  <p>CONSOLE</p>
<h3 style="margin: 0;">BODY (3/4)</h3>  <p style="text-align: center; font-size: small; margin-top: 10px;">As this illustration is prepared to be applicable to all models, some parts are different in specifications from parts listed in this parts Catalog.</p>					
<p>7 5795</p>  <p>AIR BAG</p>					
<p>8</p> <p>6115</p>  <p>6110</p>  <p>6100</p>  <p>6120</p>  <p>HEATER</p>					
<p>9</p> <p>6130</p>  <p>6140</p>  <p>6150</p>  <p>AIR CONDITIONER</p>					
<p>11 6611</p>  <p>COMBINATION SWITCH</p>			<p>10 6610</p>  <p>DASHBOARD SWITCHES</p>		

PICTORIAL INDEX

1 5580  VENTILATOR	2 5700  SEATS	3 5790  SEAT BELTS	4 6680  AUDIO SYSTEMS (RADIO & TAPE DECK)	5 6682  AUDIO SYSTEMS (ANTENNA & SPEAKER)	6 6820  FRONT HEADER TRIM & PILLAR TRIMS
<h3 style="margin: 0;">BODY (4/4)</h3>  <p style="font-size: small; text-align: center;">As this illustration is prepared to be applicable to all models, some parts are different in specifications from parts listed in this parts Catalog.</p>					
					7 6840  TRIMS & SCUFF PLATES
					8 6860  FLOOR MATS & PADS
					9 6870  SERVICE TOOLS
					10 6900  VISORS, ASSIST HANDLES & MIRRORS
				12 7250  QUARTER WINDOW & TRIMS	11 6930  CAUTION PLATES & LABELS

SECTION NAME INDEX (ENGINE)

LO.NO	SEC.NO	SECTION NAME	LO.NO	SEC.NO	SECTION NAME	LO.NO	SEC.NO	SECTION NAME
1-C03	1000A	ENGINE & GASKET SETS	1-R08	1920A	AUTOMATIC TRANSMISSION CASE & MAIN CONTROL SYSTEM			
1-E03	1010A	CYLINDER HEAD & COVER	1-D09	1925A	AUTOMATIC TRANSMISSION CONTROL VALVE			
1-H03	1030A	CYLINDER BLOCK	1-E09	1930A	AUTOMATIC TRANSMISSION CLUTCHES & PLANETARY GEARS			
1-I03	1040A	OIL PAN & TIMING COVER	1-J09	1940A	AUTOMATIC TRANSMISSION GOVERNOR, LOW & REVERSE PISTON			
1-K03	1100A	PISTON, CRANKSHAFT & FLYWHEEL	1-L09	1960A	AUTOMATIC TRANSMISSION GASKET & SEAL KIT			
1-N03	1200A	VALVE SYSTEM						
1-D04	1300A	INLET MANIFOLD						
1-E04	1310A	EXHAUST MANIFOLD						
1-F04	1320A	FUEL SYSTEM						
1-H04	1325A	FUEL DISTRIBUTOR						
1-I04	1330A	AIR CLEANER						
1-K04	1344A	THROTTLE BODY						
1-L04	1370A	EMISSION CONTROL SYSTEM (INLET SIDE)						
1-D05	1400A	OIL PUMP & FILTER						
1-F05	1500A	COOLING SYSTEM						
1-I05	1580A	BRACKET, PULLEY & BELT						
1-C06	1600A	CLUTCH DISC & COVER (5-SPEED)						
1-D06	1600AA	CLUTCH DISC & COVER (6-SPEED)						
1-E06	1700A	MANUAL TRANSMISSION CASE (5-SPEED)						
1-H06	1700AA	MANUAL TRANSMISSION CASE (6-SPEED)						
1-J06	1710A	MANUAL TRANSMISSION GEARS (5-SPEED)						
1-E07	1710AA	MANUAL TRANSMISSION GEARS (6-SPEED)						
1-L07	1720A	MANUAL TRANSMISSION CHANGE CONTROL SYSTEM (5-SPEED)						
1-N07	1720AA	MANUAL TRANSMISSION CHANGE CONTROL SYSTEM (6-SPEED)						
1-E08	1800A	ENGINE ELECTRICAL SYSTEM						
1-G08	1830A	ALTERNATOR						
1-H08	1840A	STARTER						
1-J08	1850A	BATTERY						
1-K08	1910A	AUTOMATIC TRANSMISSION TORQUE CONVERTER, OIL PUMP & PIPINGS						

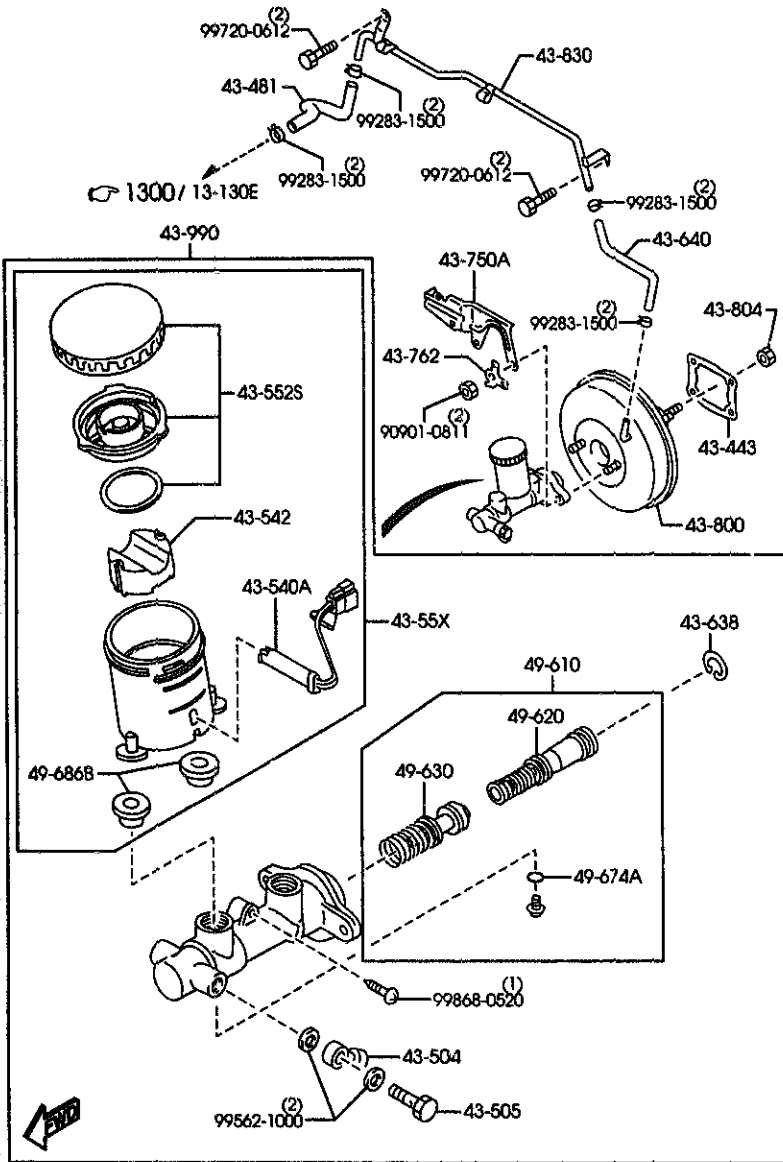
SECTION NAME INDEX (CHASSIS)

LO.NO	SEC.NO	SECTION NAME	LO.NO	SEC.NO	SECTION NAME	LO.NO	SEC.NO	SECTION NAME
1-C11	2505A	REAR PROPELLER SHAFT	2-C03	4340A	BRAKE MASTER CYLINDER & POWER BRAKE (W/O ANTILOCK BRAKE)			
1-D11	2550A	REAR DRIVE SHAFT						
1-E11	2600A	REAR AXLE	2-E03	4340B	BRAKE MASTER CYLINDER & POWER BRAKE (W/ANTILOCK BRAKE)			
1-G11	2610A	REAR BRAKE MECHANISMS						
1-J11	2710A	REAR DIFFERENTIALS (NORMAL DIFF.)	2-G03	4360A	BRAKE PIPINGS (W/O ANTILOCK BRAKE)			
1-C12	2710B	REAR DIFFERENTIALS (LIMITED SLIP DIFF.)	2-I03	4360B	BRAKE PIPINGS (W/ANTILOCK BRAKE)			
1-G12	2800A	REAR SUSPENSION MECHANISMS	2-K03	4370A	ANTILOCK BRAKE SYSTEM			
1-I12	2810A	REAR STABILIZER	2-M03	4400A	PARKING BRAKE SYSTEM			
1-J12	2830A	REAR LOWER ARMS & SUB FRAME	2-C04	4500A	FUEL PIPINGS			
1-L12	3200A	STEERING WHEEL	2-D04	4600A	CHANGE CONTROL SYSTEM (AT)			
1-M12	3210A	STEERING COLUMN & SHAFTS						
1-N12	3220AA	STEERING GEAR (W/O POWER STEERING)						
1-D13	3220AB	STEERING GEAR (W/POWER STEERING)						
1-G13	3240A	POWER STEERING SYSTEM (MT)						
1-J13	3240B	POWER STEERING SYSTEM (AT)						
1-M13	3300A	FRONT AXLE						
1-N13	3310A	FRONT BRAKE MECHANISMS						
1-C14	3400A	FRONT SUSPENSION MECHANISMS						
1-F14	3410A	CROSSMEMBER & STABILIZER						
1-G14	3700A	TIRES & JACK						
1-C15	3900A	ENGINE & T/MISSION MOUNTINGS						
1-D15	4000A	EXHAUST SYSTEM						
1-F15	4140A	MANUAL TRANSMISSION CLUTCH REL EASE & MASTER CYLINDERS						
1-G15	4145A	MANUAL TRANSMISSION CLUTCH PIP INGS						
1-H15	4160A	ACCELERATOR CONTROL SYSTEM						
1-I15	4200A	FUEL TANK						
1-G16	4210A	FUEL LID OPENER						
1-I16	4300A	MANUAL TRANSMISSION CLUTCH & B RAKE PEDALS						
1-L16	4300B	AUTOMATIC TRANSMISSION BRAKE P EDAL						

SECTION NAME INDEX (BODY)

LO.NO	SEC.NO	SECTION NAME	LO.NO	SEC.NO	SECTION NAME	LO.NO	SEC.NO	SECTION NAME
2-C06	0900A	KEY SETS	2-G14	6120A	HEATER BLOWER COMPONENTS			
2-F04	5000A	FRONT BUMPER	2-N14	6130A	AIR CONDITIONER			
2-I06	5010A	REAR BUMPER	2-L14	6140A	AIR CONDITIONING COMPRESSOR COMPONENTS			
2-K06	5030A	WINDOW MOULDING & COWL GRILLES	2-N14	6150A	AIR CONDITIONING COOLING UNIT			
2-L06	5100A	HEAD LAMPS	2-C15	6380A	WINDOW GLASSES			
2-M04	5105A	FRONT COMBINATION LAMPS	2-D15	6330A	SUN ROOF			
2-N06	5110A	REAR COMBINATION LAMPS	2-E16	6600A	ENGINE SWITCHES & RELAYS			
2-D07	5120A	LICENSE LAMPS	2-J16	6610A	DASHBOARD SWITCHES			
2-E07	5125A	INTERIOR LAMPS	2-L16	6611A	COMBINATION SWITCH			
2-F07	5170A	ORNAMENTS	2-M16	6630A	BODY RELAYS & UNIT			
2-G07	5230A	BONNET	3-C03	6635A	DOOR SWITCH & HORNS			
2-I07	5260A	TRUNK LID	3-D03	6640A	AUTO CRUISE CONTROL SYSTEM			
2-K07	5310A	FRONT PANELS	3-F03	6680A	AUDIO SYSTEMS (RADIO & TAPE DECK)			
2-M07	5320A	FENDER & WHEEL APRON PANELS	3-J03	6682A	AUDIO SYSTEMS (ANTENNA & SPEAKER)			
2-E08	5330A	DASH & COWL PANELS	3-N03	6700A	FRONT & REAR WIRING HARNESSSES			
2-F08	5340A	SIDE PANELS	3-F04	6701A	ENGINE & TRANSMISSION WIRING HARNESSSES			
2-L08	5370A	FLOOR PANELS	3-I04	6702A	DASHBOARD WIRING HARNESSSES			
2-D09	5380A	FLOOR ATTACHMENTS (HOLE COVERS)	3-J04	6703A	DOOR, FLOOR & CEILING WIRING HARNESSSES			
2-F09	5390A	FLOOR ATTACHMENTS	3-K04	6704A	WIRING HARNESS CLAMPS			
2-C10	5500A	DASHBOARD EQUIPMENTS	3-M04	6720A	WINDSHIELD WASHER (W/O ANTILOCK BRAKE)			
2-D10	5520A	METER HOOD	3-E05	6720B	WINDSHIELD WASHER (W/ANTILOCK BRAKE)			
2-E10	5540A	METER COMPONENTS	3-N05	6730A	WINDSHIELD WIPERS			
2-H10	5560A	DASHBOARD & RELATED PARTS	3-J05	6820A	FRONT HEADER TRIM & PILLAR TRIMS			
2-K10	5570A	CONSOLE	3-K05	6840A	TRIMS & SCUFF PLATES			
2-N10	5580A	VENTILATOR	3-D06	6860A	FLOOR MATS & PADS			
2-C11	5702A	SEATS	3-G06	6870A	SERVICE TOOLS			
2-K11	5790A	SEAT BELTS	3-H06	6900A	SUN VISORS, ASSIST HANDLES & MIRRORS			
2-N11	5795A	AIR BAG	3-J06	6930A	CAUTION PLATES & LABELS			
2-C12	5800A	FRONT DOORS	3-L06	7250A	QUARTER WINDOW & TRIMS			
2-G12	5830A	FRONT DOOR MECHANISMS						
2-C13	5840A	FRONT DOOR TRIMS & RELATED PARTS						
2-C14	6100A	HEATER						
2-D14	6110A	HEATER UNIT COMPONENTS						
2-E14	6115A	HEATER CONTROL COMPONENTS						

4340A BRAKE MASTER CYLINDER & POWER BRAKE
(W/O ANTILOCK BRAKE)



AUNA07

(1N11590)

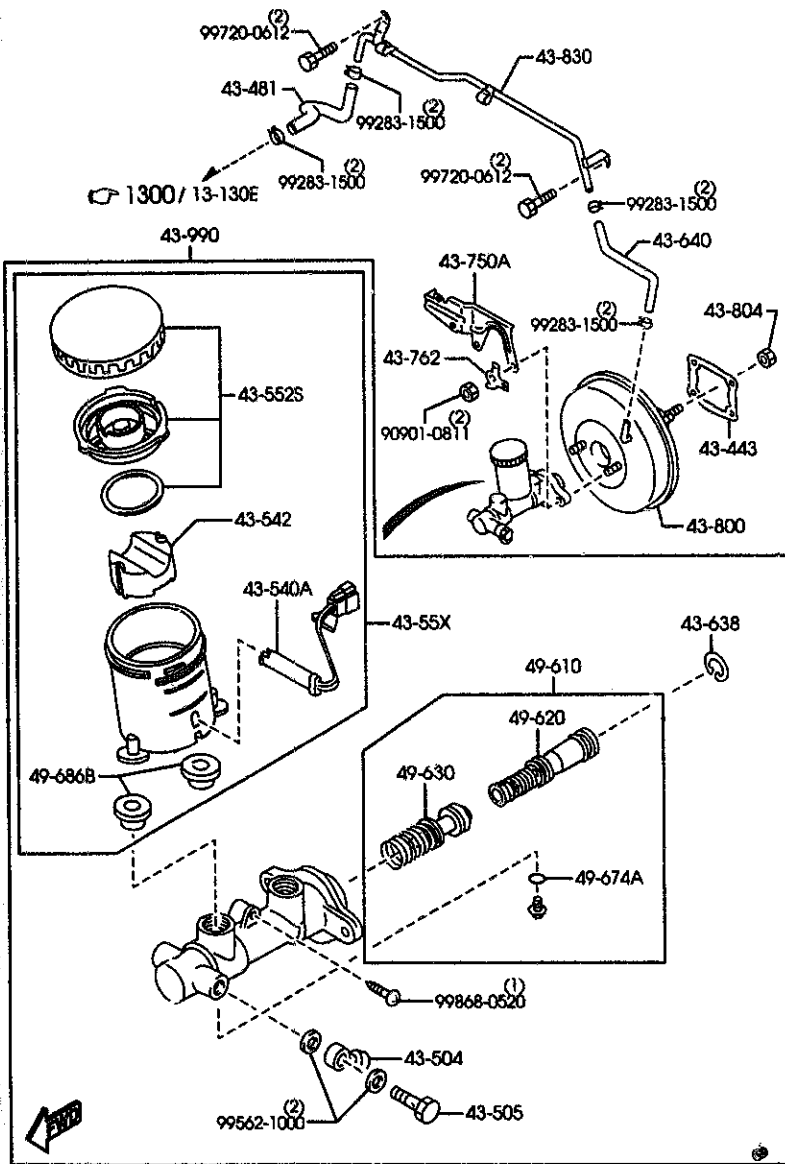
4340A -1 BRAKE MASTER CYLINDER & POWER BRAKE
(W/O ANTILOCK BRAKE)

PART NO.	QTY	MODEL/RESTRICTION	MODEL/RESTRICTION	MODEL/RESTRICTION	FROM-TO
43-443	1	GASKET,VAC POWER AS SIST NON ASBESTOS			
H001-43-443					
43-481	1	HOSE,VACUUM			
NC10-43-481					
43-504	1	JOINT,PIPE			
W023-43-504					
43-505	1	BOLT,CONNECTOR			
W025-43-505					
43-540A	1	SENSOR,RESERVE TANK			
B603-43-540					
43-542	1	FLOAT			
3597-43-542					
43-55X	1	SET,TANK			
NCY0-43-55X					
43-552S	1	CAP SET,RESERVE TANK			
D001-49-650A					
43-638	1	RING,RETAINING			
GA02-49-638					
43-640	1	HOSE,VACUUM			
NA01-43-640					
43-750A	1	HOLDER,P. B. VALVE			
NA02-43-750A					
43-762	1	BRACKET			
GA5R-43-762					
43-800	1	VACUUM POWER ASSIST			
NA75-43-800					
43-804	1	NUT			

CAT. AUNA07-05

2000-01

4340A BRAKE MASTER CYLINDER & POWER BRAKE
(W/O ANTILOCK BRAKE)



AUNA07

(1N11590)

4340A -2 BRAKE MASTER CYLINDER & POWER BRAKE
(W/O ANTILOCK BRAKE)

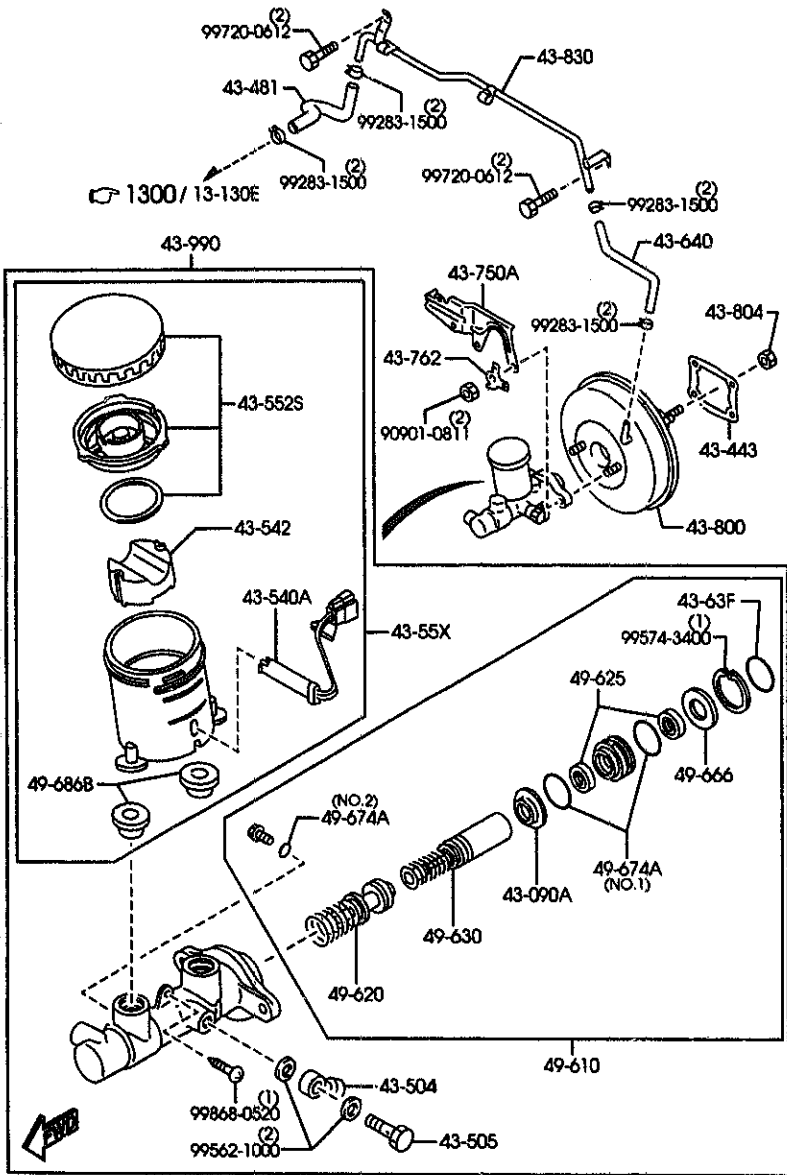
PART NO.	QTY	MODEL/RESTRICTION	MODEL/RESTRICTION	MODEL/RESTRICTION	FROM-TO
CONT'D 801C-43-954	1				
43-830		PIPE, VACUUM			
NA01-43-830A	1	(W/O AUTO CRUISE. CONT.)			-8301
NC10-43-830	1	(W/AUTO CRUISE. CONT.)			-8301
NA23-43-830B	1	(W/O AUTO CRUISE. CONT.)			8301-
NC14-43-830	1	(W/AUTO CRUISE. CONT.)			8301-
43-990		CYL., TANDEM MASTER			
NC10-43-40Z	1				
49-610		PARTS KIT, INN.-BRAKE			
BWA-43-61Z	1				
49-620		PISTON, PRIMARY			
BWA-43-62Z	1				
49-630		PISTON, FLOATING			
BWA-43-63Z	1				
49-674A		RING, 'O'-MASTER CYL.			
99541-00403	1				
49-686B		BUSH, ELBOW JOINT			
F100-49-686	2				

8301 NB353M-109481

CAT. AUNA07-05

2000-01

4340B BRAKE MASTER CYLINDER & POWER BRAKE
(W/ANTILOCK BRAKE)



AUNA07

(1N03730)

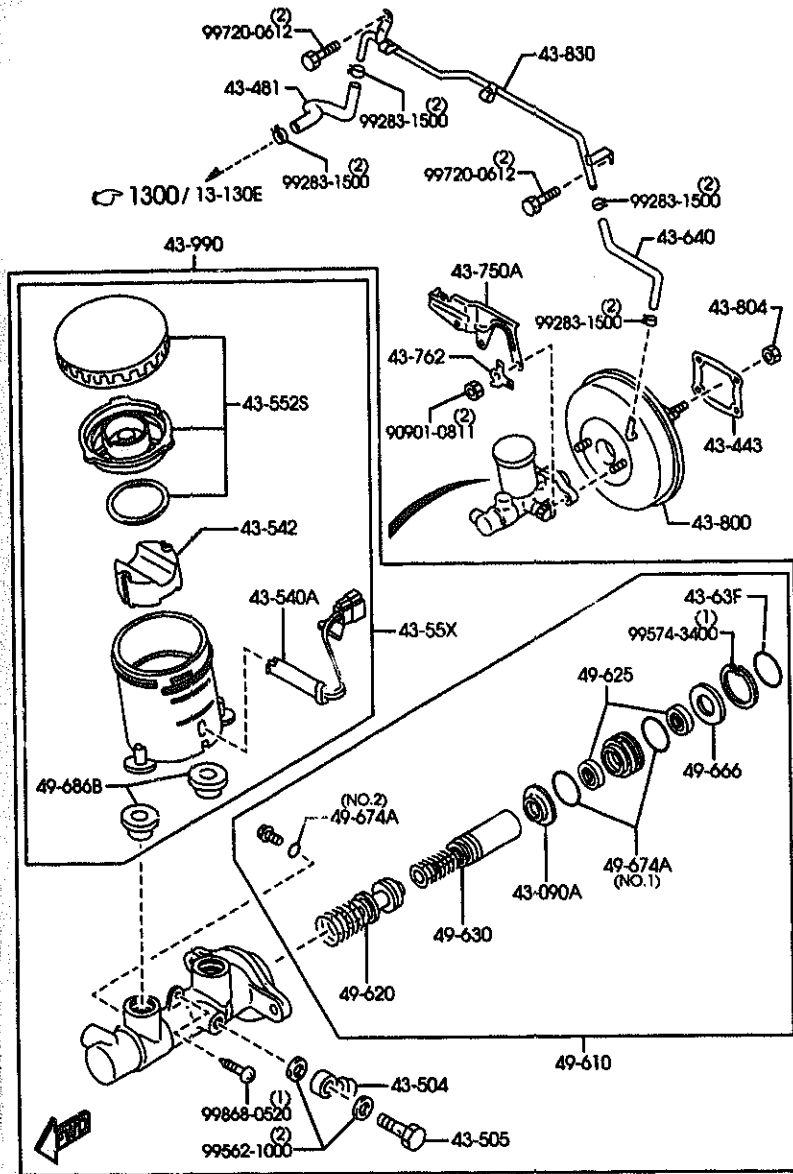
4340B -1 BRAKE MASTER CYLINDER & POWER BRAKE
(W/ANTILOCK BRAKE)

PART NO.	QTY	MODEL/RESTRICTION	MODEL/RESTRICTION	MODEL/RESTRICTION	FROM-TO
43-090A		STOPPER			
B252-49-514	1				
43-443		GASKET,VAC POWER AS SIST			
H001-43-443	1	NON ASBESTOS			
43-481		HOSE,VACUUM			
NC10-43-481	1				
43-504		JOINT,PIPE			
W023-43-504	1				
43-505		BOLT,CONNECTOR			
W023-43-505	1				
43-540A		SENSOR,RESERVE TANK			
EA01-43-540	1				
43-542		FLOAT			
3597-43-542	1				
43-55X		SET,TANK			
NCY4-43-55X	1				
43-552S		CAP SET,RESERVE TANK			
D001-49-650A	1				
43-63F		RING,'O'			
B252-49-512	1				
43-640		HOSE,VACUUM			
NA01-43-640	1				
43-750A		HOLDER,P.B.VALVE			
NA02-43-750A	1				
43-762		BRACKET			
GASR-43-762	1				
43-800		VACUUM POWER ASSIST			

CAT. AUNA07-05

2000-01

4340B BRAKE MASTER CYLINDER & POWER BRAKE
(W/ANTILOCK BRAKE)



AUNA07

(1N03730)

4340B -2 * BRAKE MASTER CYLINDER & POWER BRAKE
(W/ANTILOCK BRAKE)

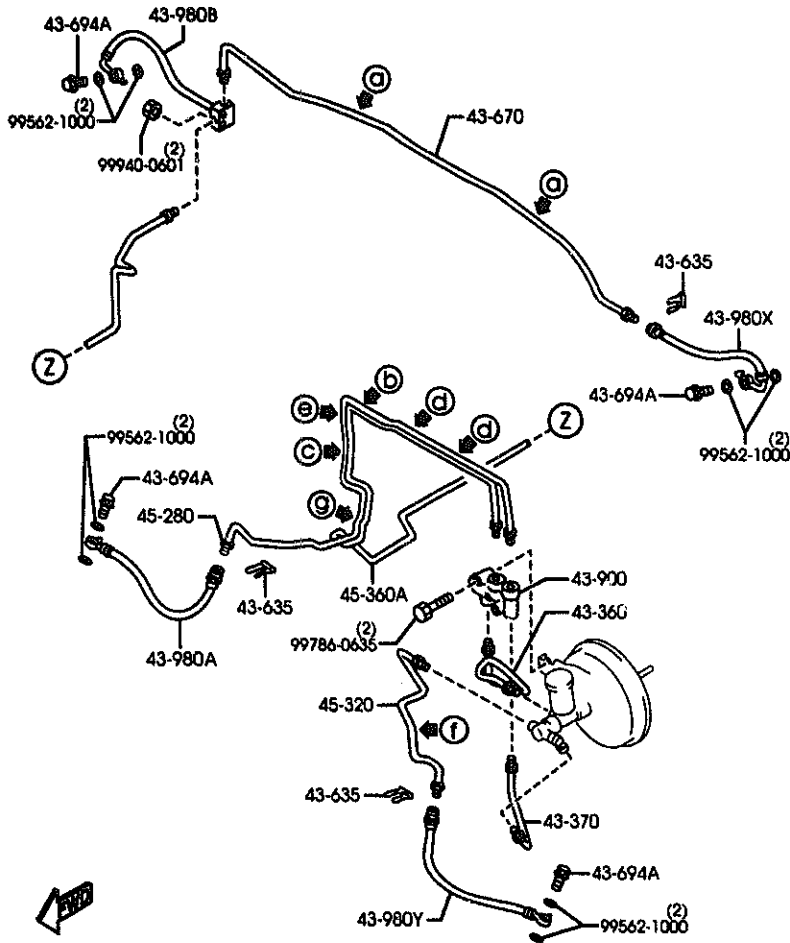
PART NO.	QTY	MODEL/RESTRICTION	MODEL/RESTRICTION	MODEL/RESTRICTION	FROM-TO
CONT'D					
NAB0-43-800	1				
43-804		NUT			
B01C-43-954	1				
43-830		PIPE, VACUUM			
NA23-43-830B	1	(W/O AUTO CRUISE.COM T.)			
NC14-43-830	1	(W/AUTO CRUISE.CONT.)			
43-990		CYL., TANDEM MASTER			
NC14-43-40Z	1				-7C01
NC15-43-400	1				7C01-
49-610		PARTS KIT, INN.-BRAKE			
DIY2-43-41Z A (DIY2-43-41ZA)	1				-8201
DIY2-43-41ZA	1				8201-
49-620		PISTON, PRIMARY			
B252-49-620A	1				
49-625		CUP, SECONDARY			
NA23-43-625	2				
49-630		PISTON, FLOATING			
NA23-43-632	1				
49-666		WASHER, STOP			
B252-49-666	1				
49-674A		RING, 'O'-MASTER CYL.			
NA23-43-515	2	SHINEI KOGYO (ILLUST. NO.1)			
9541-00603	1	NOK (ILLUST. NO.2)			
49-686B		BUSH, ELBOW JOINT			
F100-49-686	2				

7C01 NB353M-100063
8201 NB353M-106606

CAT. AUNA07-05

2000-01

4360A BRAKE PIPINGS
(W/O ANTILOCK BRAKE)



(a)	(b)	(c)	(d)	(e)	(f)	(g)
43-607	45-911C	45-915A (NO.1)	45-915A (NO.2)	45-915B	45-916	45-916B

AUNA07

(1N05200)

4360A -1 BRAKE PIPINGS
(W/O ANTILOCK BRAKE)

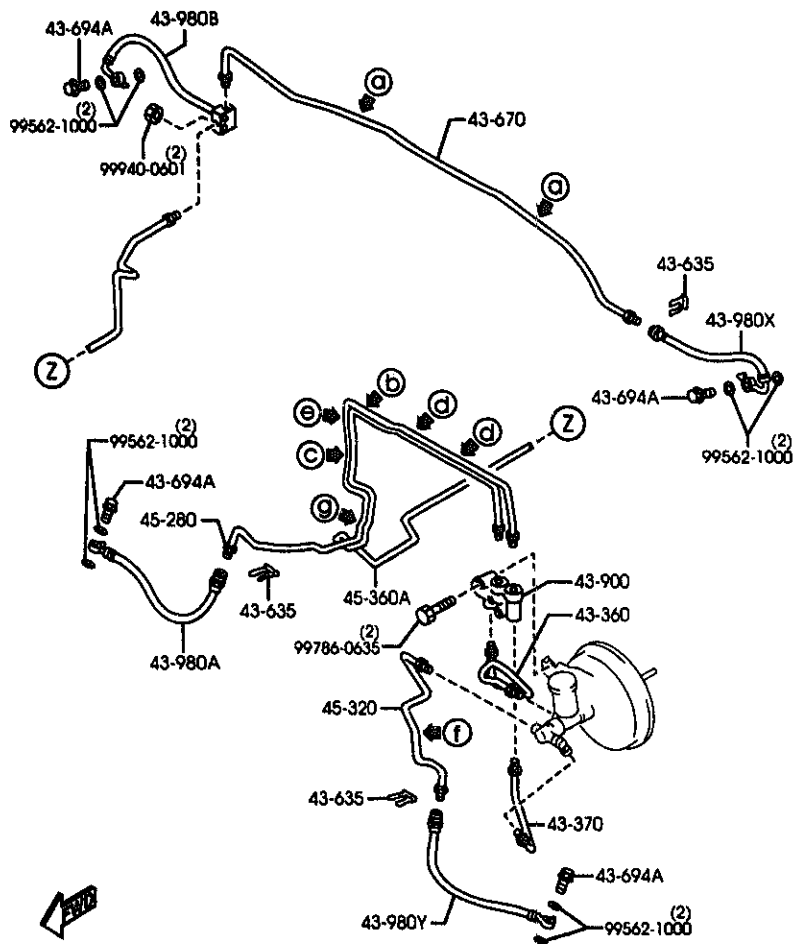
PART NO.	QTY	MODEL/RESTRICTION	MODEL/RESTRICTION	MODEL/RESTRICTION	FROM-TO
43-360		PIPE, BRAKE			
NC10-43-360B	1				
43-370		PIPE, BRAKE			
NC10-43-370	1				
43-607		CLIP, RR BRAKE PIPE			
0309-43-607	2				
43-635		CLIP, FLEXIBLE HOSE			
W023-43-635A	3				
43-670		PIPE, BRAKE-REAR			
NA01-43-670C	1				
43-694A		BOLT, CONNECTOR			
B001-43-694A	4				
43-900		VALVE, DUAL PROPORTIONING			
NC10-43-900 AN(NC10-43-900A)	1				-9301
NC10-43-900A	1				9301-
43-980A		HOSE(R), FLEXIBLE-FRT			
NA75-43-810A	1				
43-980B		HOSE(R), FLEXIBLE-RR			
NA75-43-980A	1				
43-980X		HOSE(L), FLEXIBLE-RR			
NA75-43-990A	1				
43-980Y		HOSE(L), FLEXIBLE-FRT			
NA75-43-820A	1				
45-280		PIPE(R), BRAKE-FRONT			
NC10-45-280A	1				-8301
NC10-45-280B	1				8301-
45-320		PIPE(L), BRAKE-FRONT			
NC10-45-320A	1				

8301 NB353N-109481
9301 NB353N-133012

CAT. AUNA07-05

2000-01

4360A BRAKE PIPINGS
(W/O ANTILOCK BRAKE)



a	b	c	d	e	f	g
43-607	45-911C	45-915A (NO.1)	45-915A (NO.2)	45-915B	45-916	45-916B

AUNA07

(1N05200)

4360A -2 # BRAKE PIPINGS
(W/O ANTILOCK BRAKE)

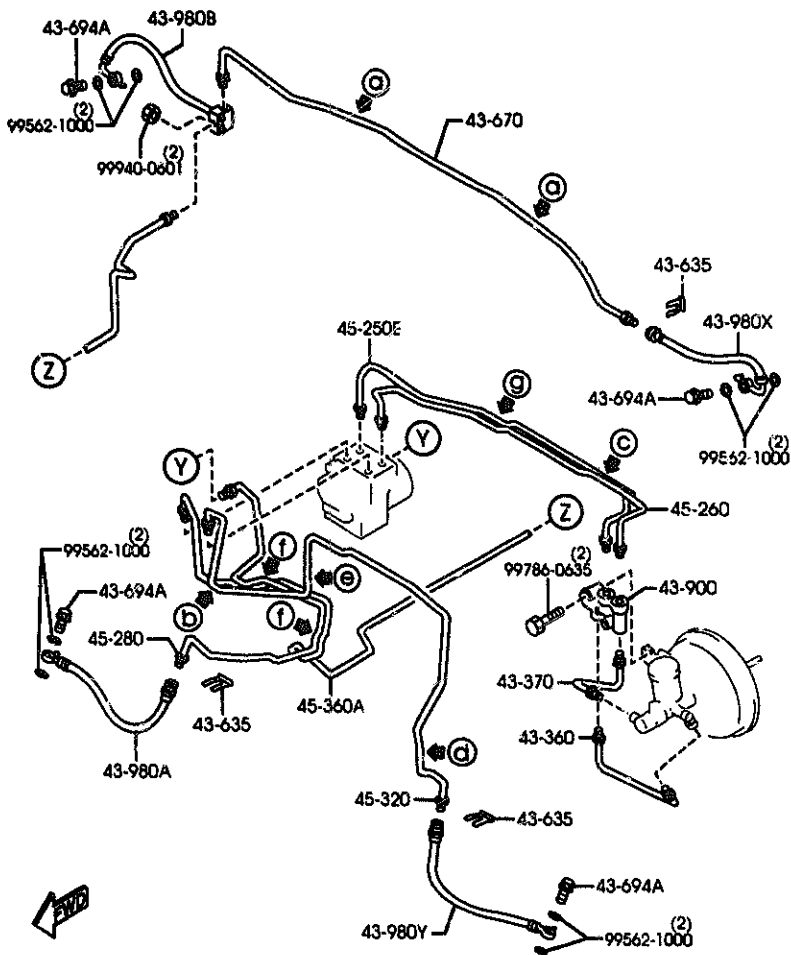
PART NO.	QTY	MODEL/RESTRICTION	MODEL/RESTRICTION	MODEL/RESTRICTION	FROM-TO
45-360A		PIPE, BRAKE-REAR			
NC10-45-360B	1				-8301
NC10-45-360C	1				8301-
45-911C		CLIP, PIPE			
NA01-45-911	1				
45-915A		HOLDER, PIPE			
H031-45-913	1	(ILLUST. NO.1)			
B001-45-915	2	(ILLUST. NO.2)			
45-915B		HOLDER, PIPE			
NA01-45-915A	1				
45-916		HOLDER, PIPE			
BC1D-45-916	1				
45-916B		HOLDER, PIPE			
H031-45-916	1				

0301 NB353M-109481

CAT. AUNA07-05

2000-01

4360B BRAKE PIPINGS
(W/ANTILOCK BRAKE)



(a)	(b)	(c)	(d)	(e)	(f)	(g)
43-607	43-919A	45-910E	45-916	45-916A	45-916B	45-920

AUNA07

(1N05190)

4360B -1 BRAKE PIPINGS
(W/ANTILOCK BRAKE)

PART NO.	QTY	MODEL/RESTRICTION	MODEL/RESTRICTION	MODEL/RESTRICTION	FROM-TO
43-360		PIPE, BRAKE			
NA25-43-360A	1				
43-370		PIPE, BRAKE			
NC14-43-370	1				
43-607		CLIP, RR BRAKE PIPE			
6309-43-607	2				
43-635		CLIP, FLEXIBLE HOSE			
W023-43-635A	3				
43-670		PIPE, BRAKE-REAR			
NA01-43-670C	1				
43-694A		BOLT, CONNECTOR			
B001-43-694A	4				
43-900		VALVE, DUAL PROPORTIONING			
NC10-43-900 AN(NC10-43-900A)	1				
NC10-43-900A	1				
43-919A		HOLDER, BRAKE PIPE			
NA20-43-915	1				
43-980A		HOSE(R), FLEXIBLE-FRT			
NA75-43-810A	1				
43-980B		HOSE(R), FLEXIBLE-RR			
NA75-43-980A	1				
43-980X		HOSE(L), FLEXIBLE-RR			
NA75-43-990A	1				
43-980Y		HOSE(L), FLEXIBLE-FRT			
NA75-43-820A	1				
45-250E		PIPE(R), MAIN FRONT			
NC14-45-250	1				

-9301

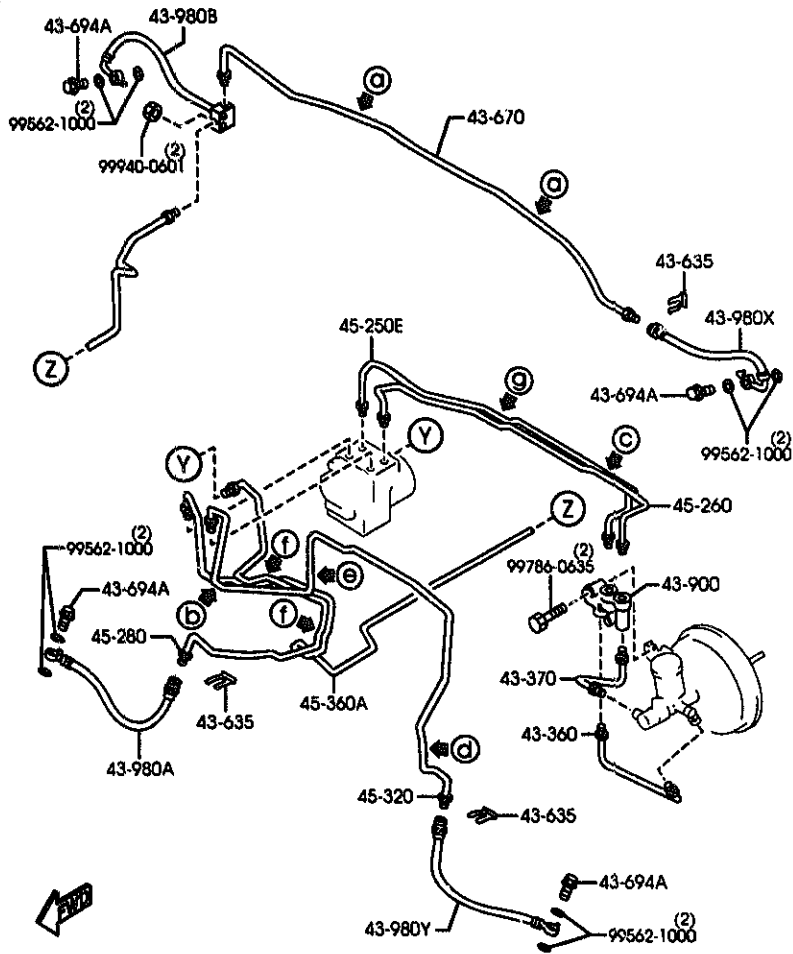
9301-

9301 NB353N-133012

CAT. AUNA07-05

2000-01

4360B BRAKE PIPINGS
(W/ANTILOCK BRAKE)



(a)	(b)	(c)	(d)	(e)	(f)	(g)
43-607	43-919A	45-910E	45-916	45-916A	45-916B	45-920

AUNA07

(1N05190)

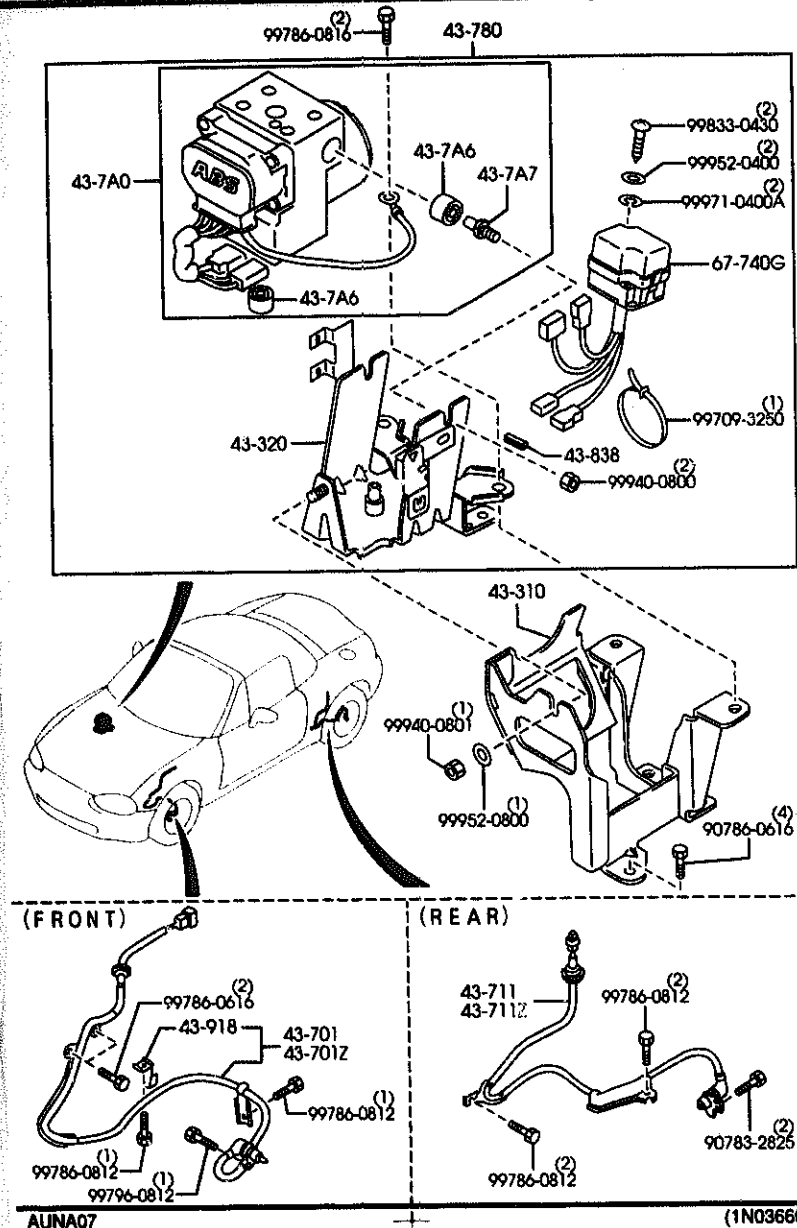
4360B -2 H BRAKE PIPINGS
(W/ANTILOCK BRAKE)

PART NO.	QTY	MODEL/RESTRICTION	MODEL/RESTRICTION	MODEL/RESTRICTION	FROM-TO
45-260		PIPE NO.2, BRAKE-FRT.			
NC14-45-240	1				
45-280		PIPE(R), BRAKE-FRONT			
NC14-45-286A	1				
45-320		PIPE(L), BRAKE-FRONT			
NC14-45-320A	1				
45-360A		PIPE, BRAKE-REAR			
NC14-45-360B	1				
45-910E		HOLDER, PIPE			
NA20-45-910A	1				
45-916		HOLDER, PIPE			
BC10-45-916	1				
45-916A		HOLDER, PIPE			
H831-45-915	1				
45-916B		HOLDER, PIPE			
H831-45-916	2				
45-920		BRACKET			
NA20-45-920B	1				

CAT. AUNA07-05

2000-01

4370A ANTILOCK BRAKE SYSTEM



4370A -1 ANTILOCK BRAKE SYSTEM

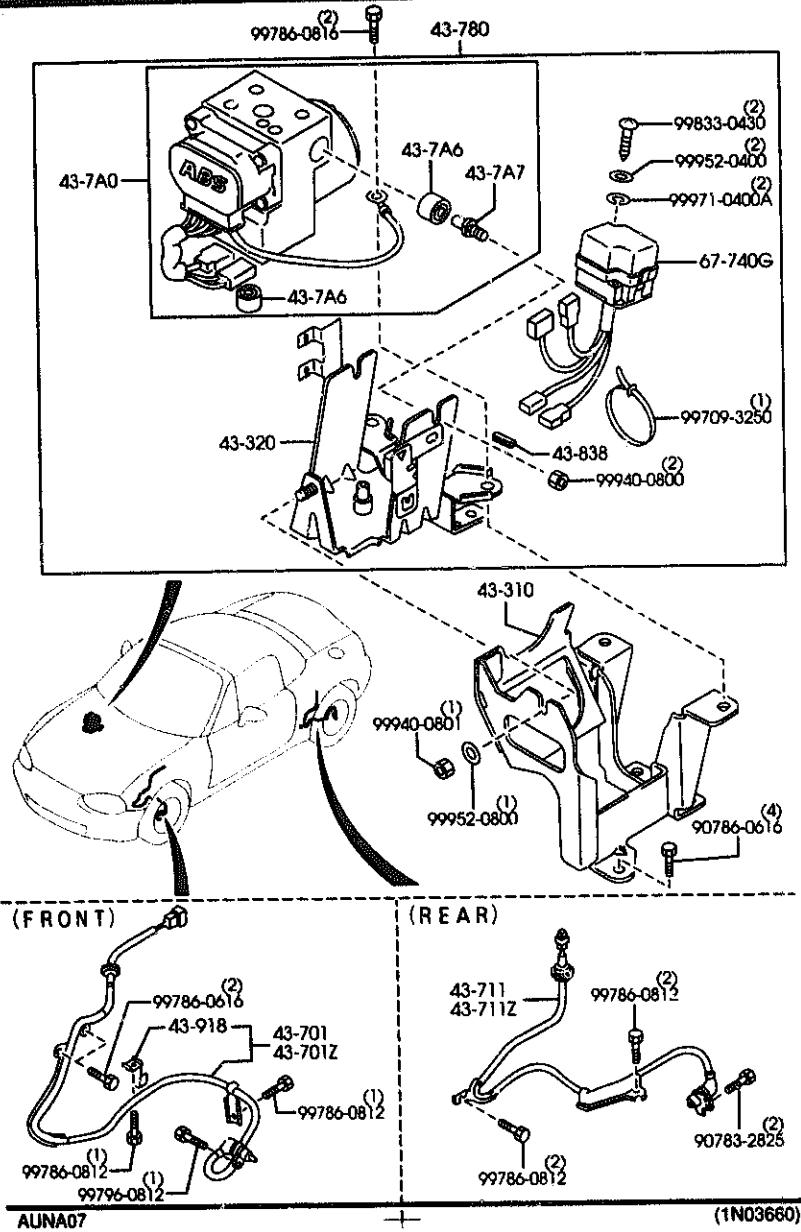
PART NO.	QTY	MODEL/RESTRICTION	MODEL/RESTRICTION	MODEL/RESTRICTION	FROM-TO
43-310		BRACKET NO 1,A.B.S.			
NC14-43-310	1				
43-320		BRACKET NO 2,A.B.S.			
NC14-43-320A	1				
43-7A0		UNIT, HYDRAULIC-ABS			
NB86-43-7A0B	1				
43-7A6		RUBBER, MOUNT-HYD. UNIT			
NB86-43-7A6	3				
43-7A7		STUD, HEX-HYD. UNIT			
NB86-43-7A7	2				
43-701		SENSOR(R), FRT-A.B.S.			
NA23-43-70XE	1				-9107
NC14-43-70X	1				9107-
43-701Z		SENSOR(L), FRT-A.B.S.			
NA23-43-75XE	1				-9107
NC14-43-75X A (NC14-43-75XA)	1				9107-9621
NC14-43-75XA	1				9621-
43-711		SENSOR(R), RR-A.B.S.			
NA23-43-71YC	1				
43-711Z		SENSOR(L), RR-A.B.S.			
NA23-43-72YC	1				
43-780		ANTILOCK BRAKE			
NC14-43-780A	1				
43-838		PROTECTOR			
*N053-43-782	1				
43-918		CLIP, SENSOR HARNESS			
NA23-43-705	2	(FOR RIGHT & LEFT)			-9621
NA23-43-705	1	(FOR RIGHT)			9621-
9107 NB353*-127044 9621 NB353*-138568					

CAT. AUNA07-05

2000-01

4370A ANTILOCK BRAKE SYSTEM

4376A -2 ANTILOCK BRAKE SYSTEM



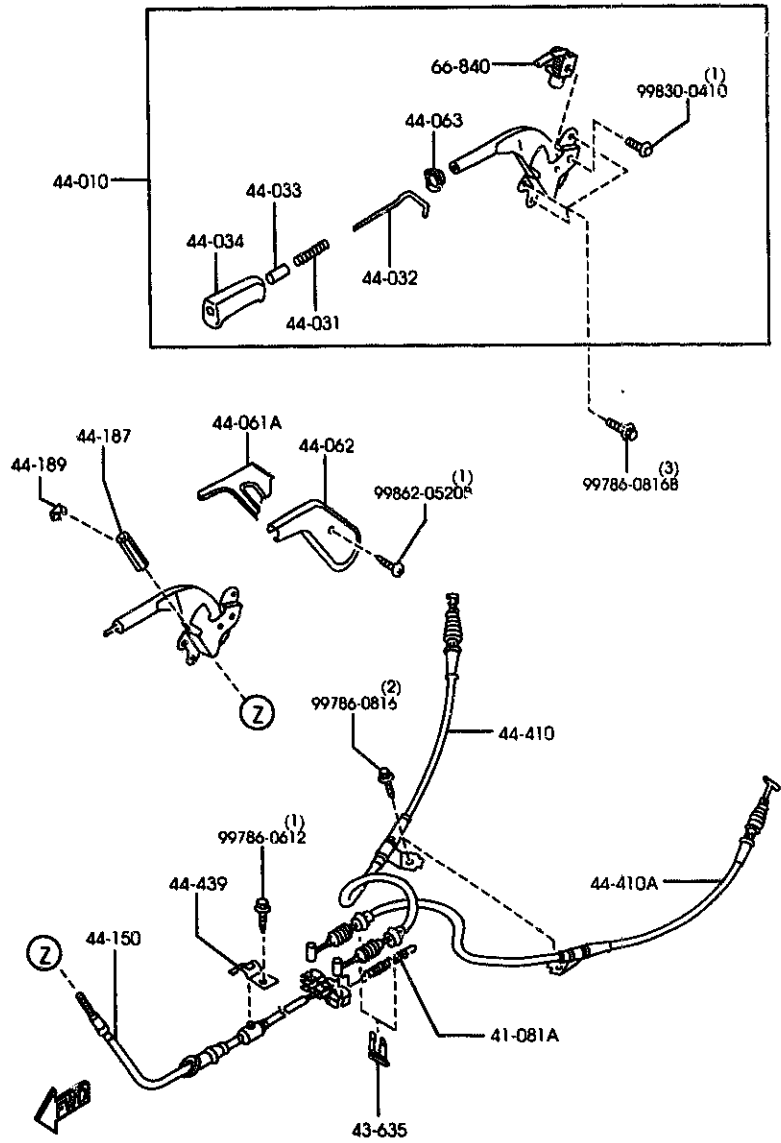
PART NO.	QTY	MODEL/RESTRICTION	MODEL/RESTRICTION	MODEL/RESTRICTION	FROM-TO
CONT'D NC14-43-705	1	(FOR LEFT)			9621-
67-740G		RELAY			
N886-67-740B	1				
9621 N8353M-138568					

CAT. AUNA07-05

2000-01

4400A PARKING BRAKE SYSTEM

4400A -1 PARKING BRAKE SYSTEM



PART NO.	QTY	MODEL/RESTRICTION	MODEL/RESTRICTION	MODEL/RESTRICTION	FROM-TO
41-081A		SPRING, RETURN			
0750-41-308	1				
43-635		CLIP, FLEXIBLE HOSE			
W023-43-635A	2				
44-010		LEVER, PARKING BRAKE			
NA01-44-010	1	{ ('99 MODEL) { ('00 MODEL)>(4-SP) }{ ('00 MODEL)>(5-SP) }			
WNC35-44-010A	1	{ ('00 MODEL)>(6-SP) }			
44-031		SPRING, PARKING REVER			
G030-44-031	1				
44-032		ROD, RELEASE			
NA01-44-032	1				
44-033		BUTTON, RELEASE			
FB01-44-033	1	{ ('99 MODEL) { ('00 MODEL)>(4-SP) }{ ('00 MODEL)>(5-SP) }			
WNC35-44-033	1	{ ('00 MODEL)>(6-SP) }			
44-034		CAP, PARK BRAKE LEVER			
FB01-44-034	1	{ ('99 MODEL) { ('00 MODEL)>(4-SP) }{ ('00 MODEL)>(5-SP) }			
WNC35-44-034	1	{ ('00 MODEL)>(6-SP) }			
44-061A		COVER			
FB01-44-061C	1	{ ('99 MODEL) { ('00 MODEL)>(4-SP) }{ ('00 MODEL)>(5-SP) }			
WNC35-44-061	1	{ ('00 MODEL)>(6-SP) }			
M 80	INT-	NB6 BEIGE			

AUNA07

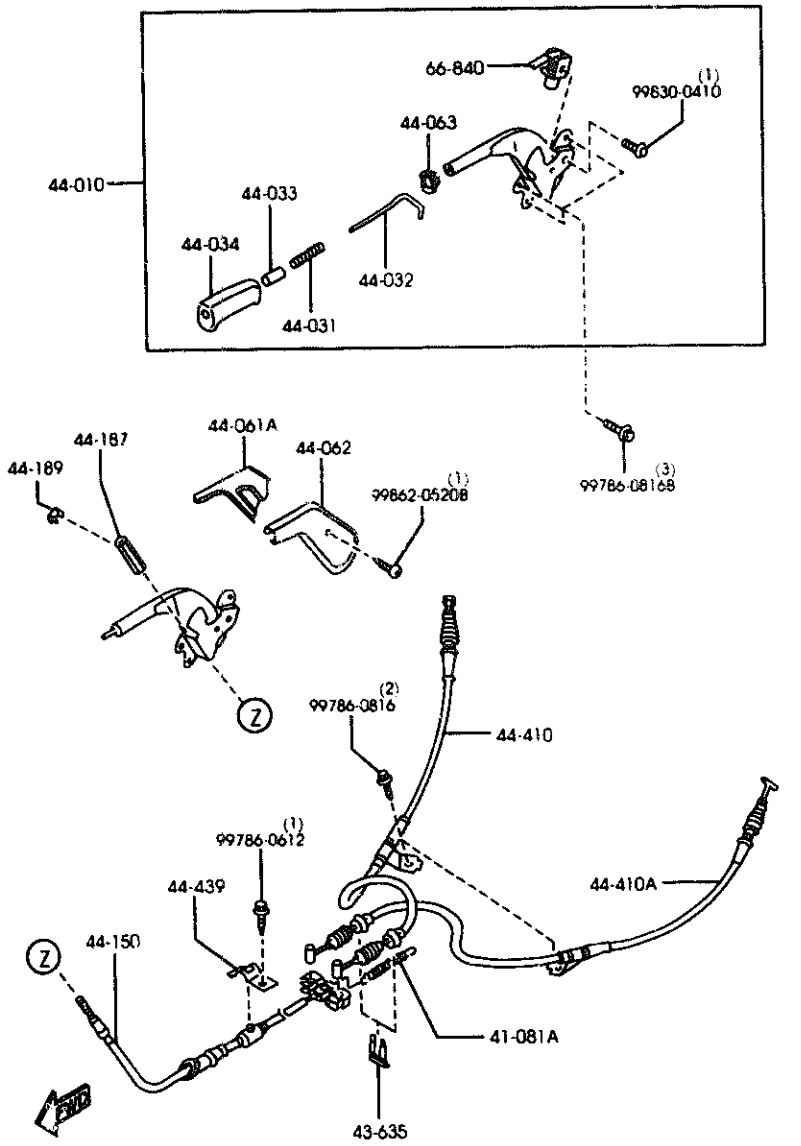
(1N02040)

CAT. AUNA07-05

2000-01

4400A PARKING BRAKE SYSTEM

4400A -2 * PARKING BRAKE SYSTEM



AUNA07

(1N02040)

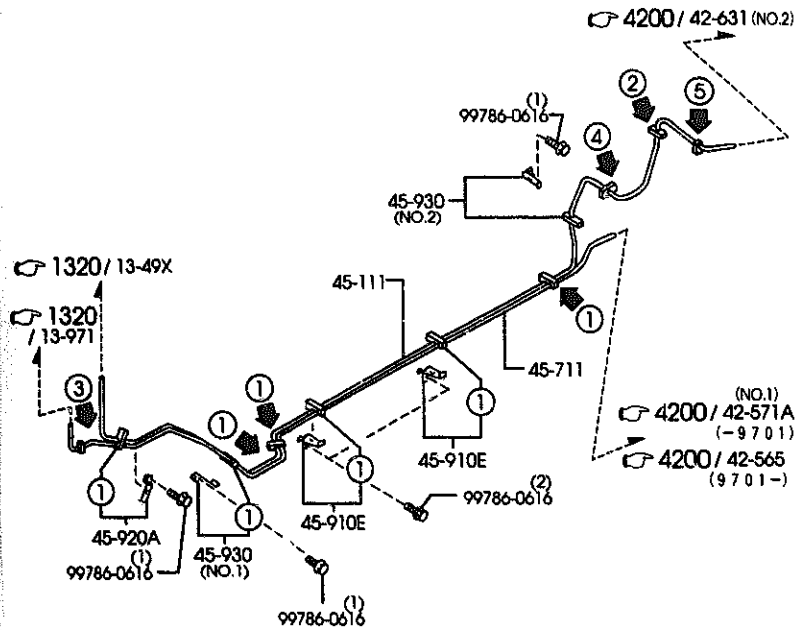
PART NO.	QTY	MODEL/RESTRICTION	MODEL/RESTRICTION	MODEL/RESTRICTION	FROM TO
44-062		COVER			
FB01-44-062B	1	(('99 MODEL)) (('00 MODEL))>(4-SP) (('00 MODEL))>(5-SP)			
WNC35-44-062	1	(('00 MODEL))>(6-SP)			
80	INT-	NB6 BEIGE			
44-063		SPACER			
FC01-44-063A	1	(('99 MODEL)) (('00 MODEL))>(4-SP) (('00 MODEL))>(5-SP)			
WNC35-44-063	1	(('00 MODEL))>(6-SP)			
80	INT-	NB6 NB7 BEIGE			
44-150		CABLE,PARKING-FRT			
NAD1-44-150D	1				
44-187		SCREW,ADJUST			
0866-44-187A	1				
44-184		CLIP			
0866-44-189	1				
44-410		CABLE(R),R.-PARK.			
NC10-44-410	1				-0901
A (NC10-44-410A)					0901-
NC10-44-410A					
44-410A		CABLE(L),R.-PARK.			
NC10-44-420	1				-0901
A (NC10-44-420A)					0901-
NC10-44-420A	1				
44-439		CLIP,CABLE			
1011-44-439	1				
66-840		SWITCH,PARKING LAMP			
0J21-66-450A	1				
0901 NB353N-122306					

CAT. AUNA07-05

2000-01

4500A FUEL PIPINGS

4500A -1 * FUEL PIPINGS



①	②	③	④	⑤
45-912D	45-913A	45-914	45-915	45-921



AUNA07

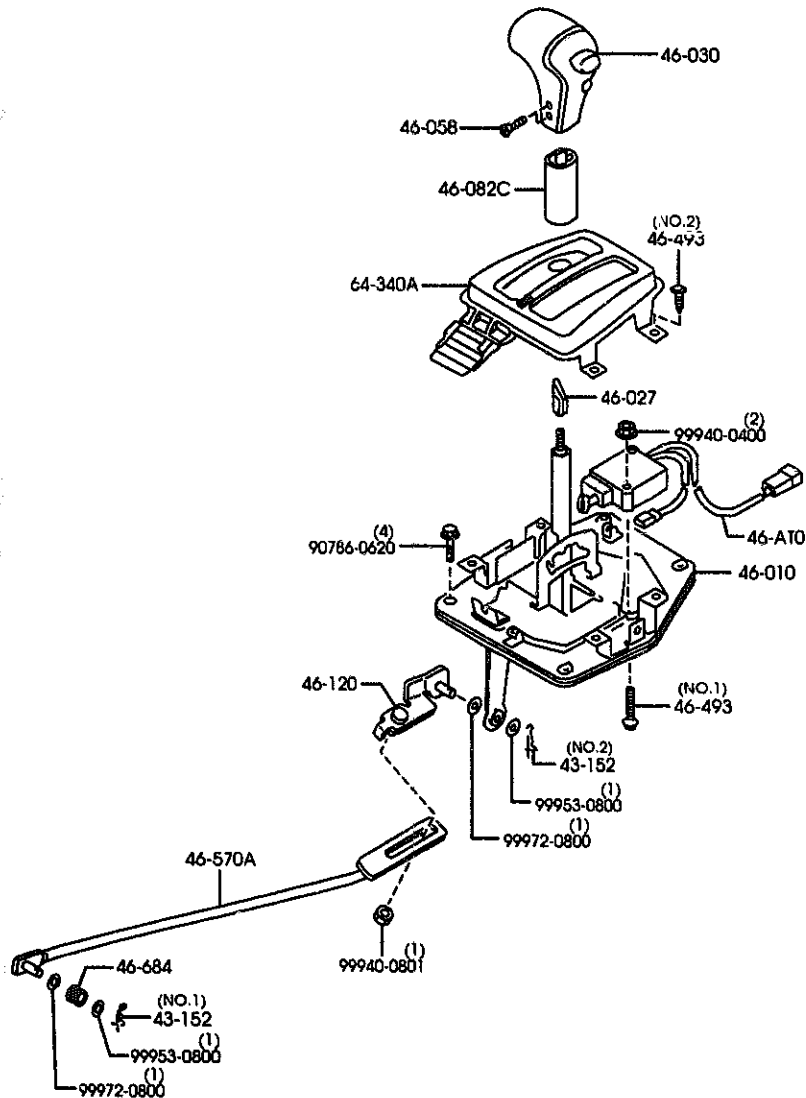
(1N11610)

PART NO.	QTY	MODEL/RESTRICTION	MODEL/RESTRICTION	MODEL/RESTRICTION	FROM-TO
45-111 NC10-45-111B	1	PIPE, FUEL-MAIN			
45-711 NC10-45-711B	1	PIPE, EVAPORATION			-9701
45-910E H266-45-910A	2	HOLDER, PIPE			9701-
45-912D H266-45-912	7	HOLDER, PIPE			
45-913A NA01-45-913 AN(NA01-45-913B)	1	CLIP, PIPE			-9201
45-914 FB01-45-914	1	HOLDER, PIPE			9201-
45-915 NA01-45-914	1	CLIP, PIPE			-8301
45-920A H266-45-920A	1	HOLDER 'B', PIPE			
45-921 B210-45-917	1	CLIP, PIPE			-9601
45-930 H266-45-930A NC10-45-930	1 (ILLUST. NO.1) 1 (ILLUST. NO.2)	HOLDER 'C', PIPE			
<p>8301 NB353*-109481 9201 NB353*-130051 9601 NB353*-138251 9701 NB353*-138751</p>					

CAT. AUNA07-05

2000-01

4600A CHANGE CONTROL SYSTEM
(AT)



AUNA07

(1N04490)

4600A -1 * CHANGE CONTROL SYSTEM
(AT)

PART NO.	QTY	MODEL/RESTRICTION	MODEL/RESTRICTION	MODEL/RESTRICTION	FROM-TO
43-152		PIN, SNAP			
D001-43-152	1	(ILLUST. NO. 1)			
FB02-43-152A	1	(ILLUST. NO. 2)			
46-AT0		ACTUATOR, SHIFT LOCK			
NC13-46-AT0A AN(NC13-46-AT0B)	1				-8A01
NC13-46-AT0B	1				8A01-
46-010		LEVER, SELECT			
NC13-46-100C	1				
46-027		CAM, CHANGE LEVER			
H338-46-027	1				
46-030		KNOB, CHANGE LEVER			
NC13-46-030A	1				
46-058		SCREW, CHANGE LEVER K NOB			
FB02-46-058C	2				
46-082C		COVER, SELECT LEVER			
NC13-46-088	1				
46-120		BRACKET, INDICATOR			
NC13-46-120A	1				
46-493		SCREW			
0517-46-116	2	(ILLUST. NO. 1)			
0517-46-117	4	(ILLUST. NO. 2)			
46-570A		ROD, SELECTOR-REAR			
NC13-46-570B	1				
46-684		BUSH			
1015-46-684A	1				
64-340A		INDICATOR			
NC13-64-350A AN(NC13-64-350B)	1				-8515
NC13-64-350B	1				8515-
8515 NB353K-117774					
8A01 NB353K-122764					

CAT. AUNA07-05

2000-01